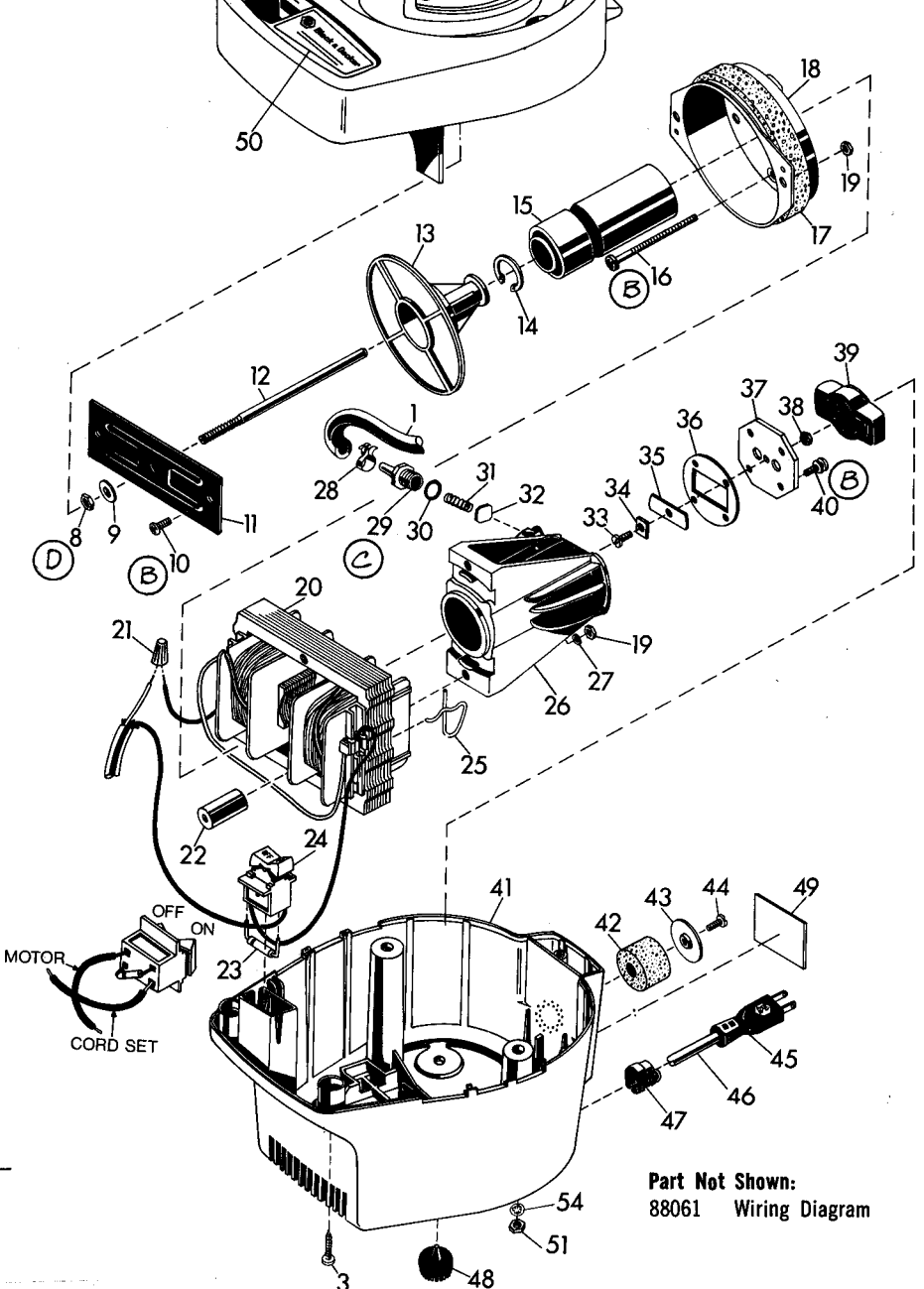


2	89714	Bushing	1
3	86964	#8-16 x 3/4 T. F. Screw	3
4	99298-10	#10-32 x 5/8 Pan Hd Screw	2
5	99361-11	Washer	2
6	88836	Housing Cover & Nameplate	1
7	84633	(Incl. 50)	1
8	99366-01	1/4-20 Jam Nut	1
9	46084	1/4" Washer	1
10	99298-06	#10-32 x 3/8 Pan Hd Screw	2
11	89315	Red Support	1
12	88788	Rod	1
13	92862	Fan	1
14	90590	Retaining Ring	1
15	87076	Piston	1
16	99298-40	#10-32 x 2 1/2 Pan Hd Screw	2
17	90923	Gasket	1
18	93425	Fan Housing (Incl. 17)	1
19	66792	#10-32 Locknut	4
20	87067-51	Stator (120V)	1
21	32114-06	Wire Nut	1
22	89927	Stand Off	2
23	66931-01	Silicon Rectifier (120V)	1
24	88060-01	Switch	1
25	87066	Spring Clip	2
26	87073	Cylinder	1
27	30251	#10 Washer	2
28	95540	Hose Clamp	1
29	94275	Valve Fitting	1
30	695606	O-Ring	1
31	88036	Spring	1
32	88033	Discharge Valve	1
33	99289-06	#6-32 x 3/8 Pan Hd Screw	1
34	88055	Washer	1
35	87080	Inlet Valve 96175	1
36	87083	Gasket	1
37	87082	Head 96175	1
38	88860	#6-32 Nut Self Sealing	1
39	88857	Grommet	1
40	99354-08	#10-32 x 1/2 Pan Hd Screw & Washer	4
41	88835-04	Housing & Nameplate (Incl. 49)	1
42	88854	Filter	1
43	88853	Filter Cover	1
44	88855	8-16 x 1/2 T. F. Screw	1
45	99586-02	Attachment Plug 234900-02	1
46	88837	Cord & Plug (Incl. 45 & 47)	1
47	94511	Stain Relief	1
48	88066	Rubber Foot	4
49	94279-01	Nameplate	1
50	88851	Ident. Label	1
51	406	#10-32 Hex Nut	2
54	34029	#10 Int. Tooth L'washer	2

66931-04

88771



OB SOLE TE CAT. No.: 4700
 NLS: OCT. 1977
 PRICE: \$59.00

PARTS MAY NOT BE AVAILABLE



IMPORTANT!—To assure product SAFETY and RELIABILITY, repairs, maintenance and adjustment should be performed by BLACK & DECKER Service Centers or other qualified service organizations, always using BLACK & DECKER replacement parts.

When servicing Double Insulated Tools, it is extremely important that ONLY IDENTICAL REPLACEMENT PARTS BE USED and that REASSEMBLY OF TOOL IS IDENTICAL TO THE ORIGINAL ASSEMBLY.

WHEN ORDERING REPLACEMENT PARTS YOU MUST GIVE UNIT, TYPE AND CATALOG NUMBER AS SHOWN ON NAMEPLATE, PLUS PART NUMBER AND NAME OF PART NEEDED.

AIR COMPRESSOR				
Cat. No.	Volts	Type	Amps	Hz
4700	120	1	3.75	60

The Black & Decker Mfg. Co.
Towson, Maryland 21204

Printed in U.S.A. **BULLETIN NO. 8531**

COPYRIGHT© 2005. All Rights Reserved.

Parts list, pricing, and availability subject to change. Please visit www.dewaltservicenet.com for current parts information.