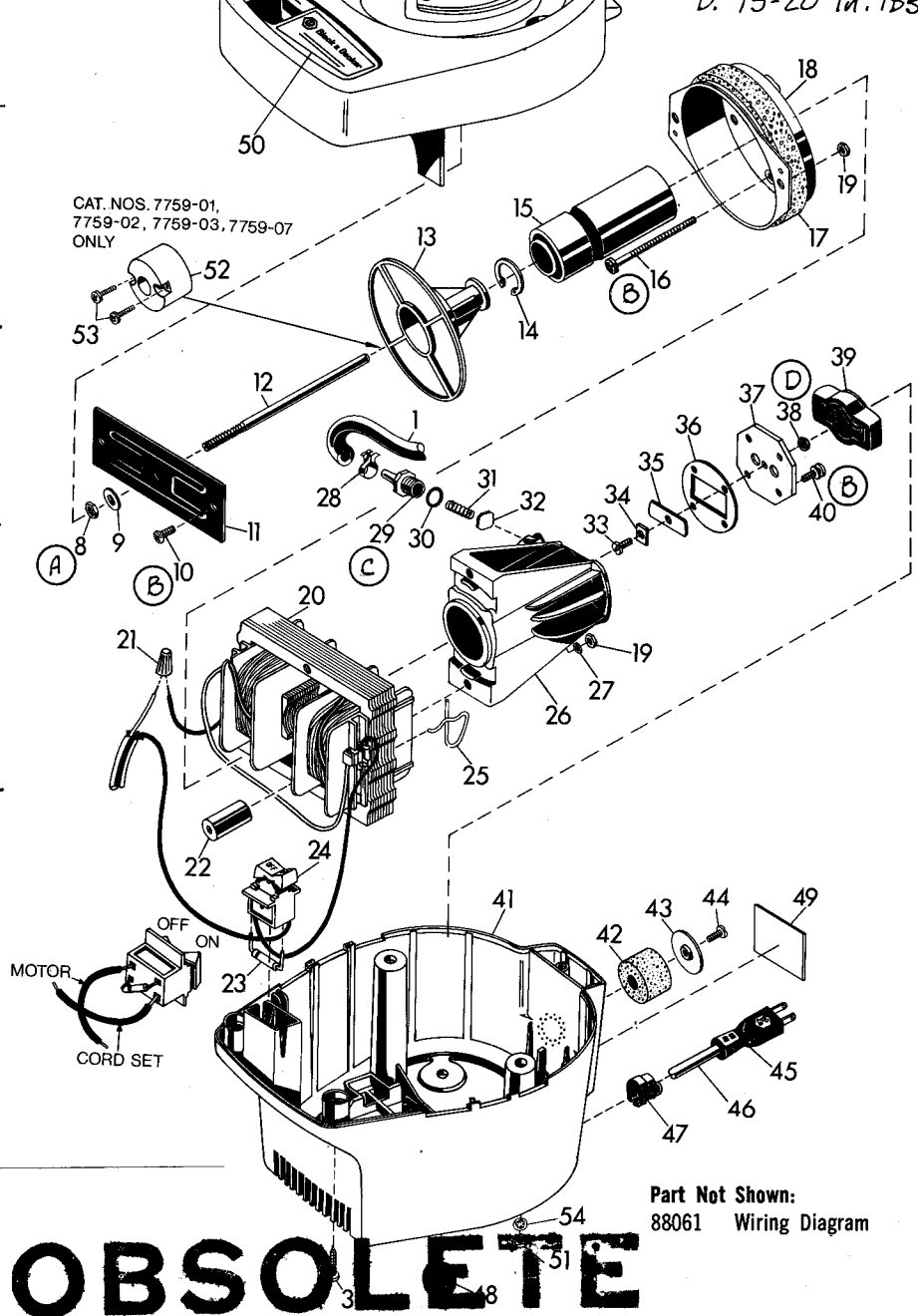


- 2 89714 Bushing 1
- 3 86964 #8-16 x 3/4 T. F. Screw 3
- 4 99298-10 #10-32 x 5/8 Pan Hd Screw 2
- 5 99361-11 Washer 2
- 6 88836 Housing Cover & Nameplate
~~87033~~ (Incl. 50) 1
- 8 99366-01 1/4-20 Jam Nut 1
- 9 46084 1/4" Washer 1
- 10 99298-06 #10-32 x 3/8 Pan Hd Screw 2
- 11 89315 Rod Support Bracket 1
- 12 88788 Rod 1
- 13 82862 Fan 1
- 14 90590 Retaining Ring 1
- 15 87076 Piston 1
- 16 99298-40 #10-32 x 2 1/2 Pan Hd Screw 2
- 17 90923 Gasket 1
- 18 93425 Fan Housing (Incl. 17) 1
- 19 66792 #10-32 Locknut 4
- 20 87067-51 Stator (120V) 1
- 21 32114-06 Wire Nut 1
- 22 89927 Stand Off 2
- 66931-04 23 66931-01 Silicon Rectifier (120V) 1
- 24 88060-01 Switch 1
- 25 87066 Spring Clip 2
- 26 87072 Cylinder 1
- 27 30251 #10 Washer 2
- 28 93402 Hose Clamp 95540 1
- 29 94275 Valve Fitting 1
- 30 695606 O-Ring 1
- 31 88036 Spring 1
- 32 88033 Discharge Valve 1
- 33 99289-06 #6-32 x 3/8 Pan Hd Screw 1
- 34 88055 Washer 1
- 35 87080 Inlet Valve 96175 1
- 36 87083 Gasket 1
- 37 87082 Head 96175 1
- 38 88860 #6-32 Nut Self Sealing 1
- 39 88857 Grommet 1
- 40 99354-08 #10-32 x 1/2 Pan Hd Screw & Washer 4
- 41 88835 Housing & Nameplate (Incl. 49) 1
- 42 88854 Filter 1
- 43 88853 Filter Cover 1
- 44 88855 8-16 x 1/2 T. F. Screw 1
- 45 99586-02 Attachment Plug 23490-02 1
- 46 88837 Cord & Plug (Incl. 45 & 47) 1
- 47 94511 Stain Relief 1
- 48 88066 Rubber Foot 4
- 49 88852-01 Nameplate 95551-15 1
- 50 88851 Ident. Label 1
- 51 406 #10-32 Hex Nut 2
- 54 34029 #10 Int. Tooth L'washer 2



OBSOLETE

PARTS MAY NOT BE AVAILABLE



IMPORTANT!—To assure product SAFETY and RELIABILITY, repairs, maintenance and adjustment should be performed by BLACK & DECKER Service Centers or other qualified service organizations, always using BLACK & DECKER replacement parts.

When servicing Double Insulated Tools, it is extremely important that ONLY IDENTICAL REPLACEMENT PARTS BE USED and that REASSEMBLY OF TOOL IS IDENTICAL TO THE ORIGINAL ASSEMBLY.

ORDERING REPLACEMENT PARTS YOU MUST GIVE UNIT, TYPE AND CATALOG NUMBER AS SHOWN ON NAMEPLATE, PLUS PART NUMBER AND NAME OF PART NEEDED.

AIR COMPRESSOR				
Cat. No.	Volts	Type	Amps	Hz
7759	120	1	3.75	60
7759-01	220	1	1.85	50
7759-02	240	1	1.75	50
7759-03	100	1	4.20	50
7759-04	120	1	3.75	60
7759-06	100	1	4.20	60
7759-07	220	1	1.85	50

The Black & Decker Mfg. Co.
Towson, Maryland 21204

Printed in U.S.A. BULLETIN NO. 8395-1

COPYRIGHT© 2005. All Rights Reserved.

Parts list, pricing, and availability subject to change. Please visit www.dewaltservicenet.com for current parts information.